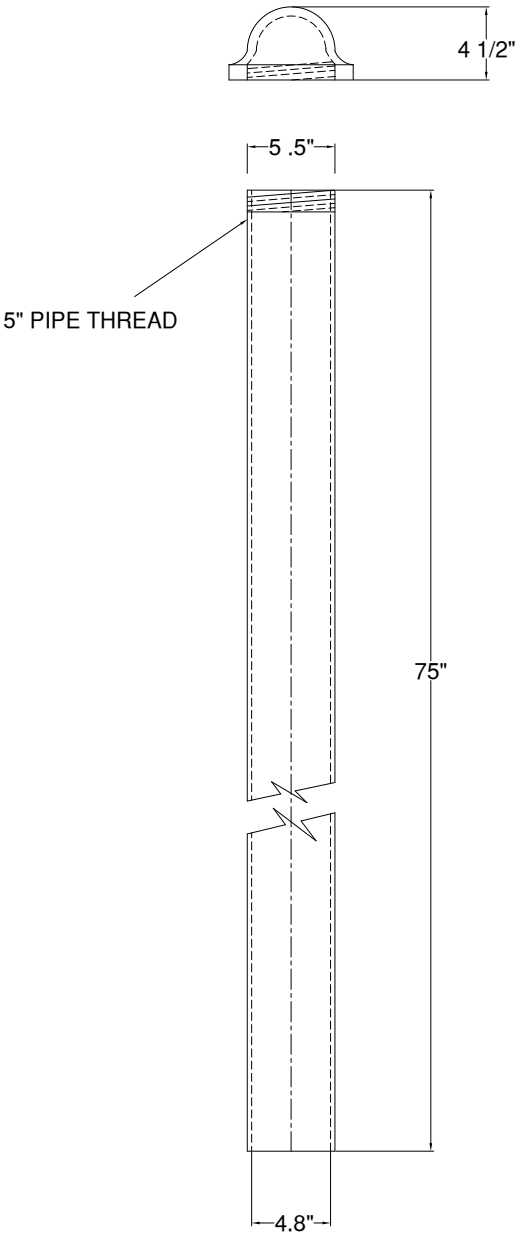
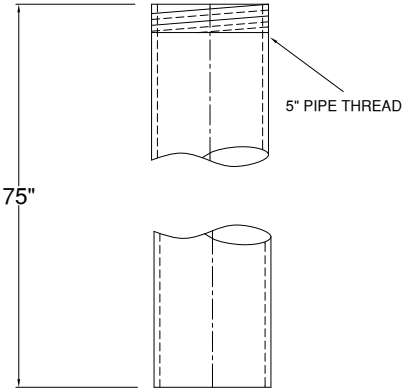
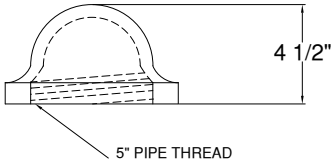


NOTES:

All parts of Hydrant Fender shall be cleared of scale, rust and dirt and be coated on the outside with one coat of Red lead and one coat of Black Asphalt paint.



WITH CAST IRON HISTORICAL TYPE CAP



CRESWELL TRADING COMPANY, INC.			
PATTERN NO. 6' - 3" (75") HYDRANT FENDER			
DRN	RK	WEIGHT: 123 lbs/ set	
CKD	HHSjr		
APD		DATE: March 07, 2006	Rev