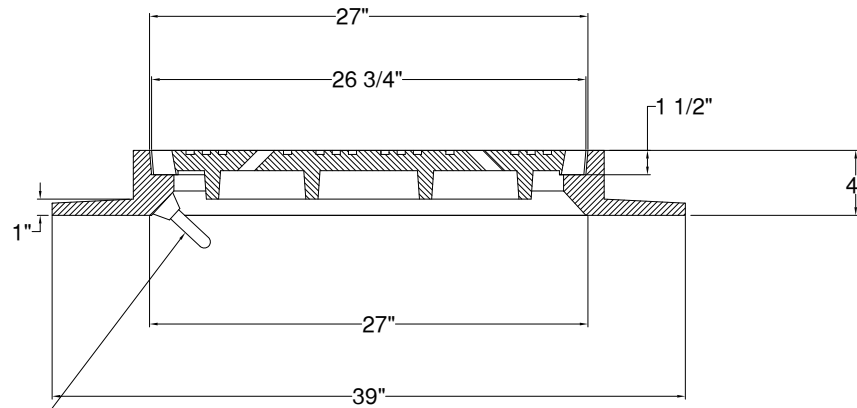


**NOTES:**

Material : Grey Cast Iron ASTM A 48 Class 30B  
 Loading: AASHTO HS 20-44 Highway Loading



3/4" Dia Galvanized Steel Handgrip  
 Extending 3 1/2" from Frame,  
 Cast into Frame

<b>CRESWELL TRADING COMPANY, INC.</b>			
<b>PATTERN NO. 1041A MANHOLE FRAME &amp; COVER</b>			
DRN	RK	WEIGHT:	
CKD	HHSjr	FRAME: 245 lbs Minimum COVER: 195 lbs Minimum	
APD		DATE: March 07, 2006	Rev